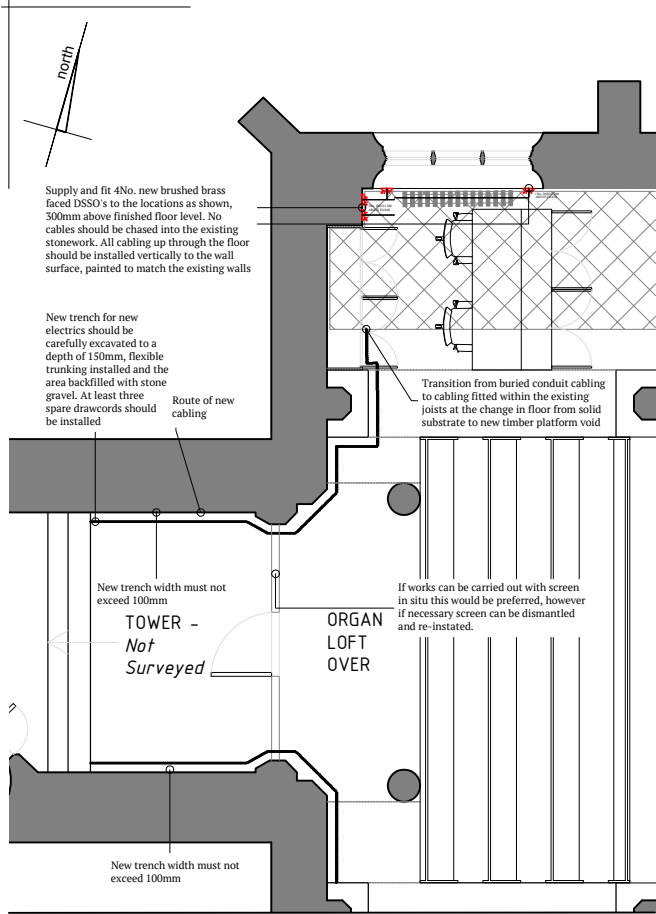
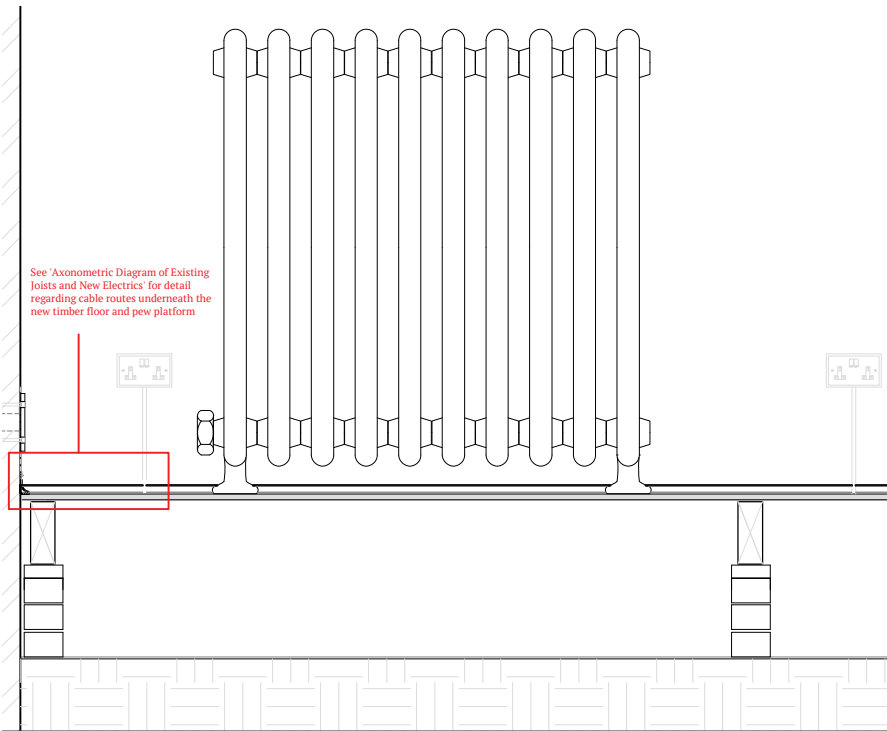


Do not scale off this drawing. Work to figured dimensions any discrepancy to be reported to the Architects. Refer to larger scale drawings where available.



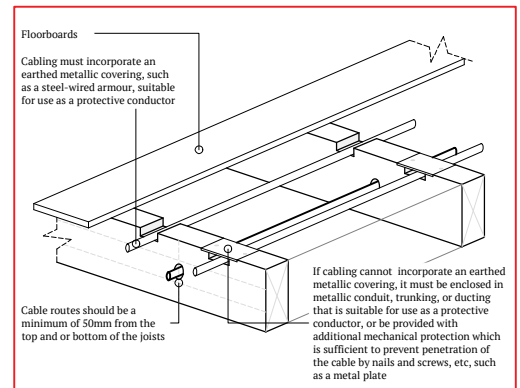
Reference Plan

1:100



New Flooring and Electrics Section

1:20



Axonometric Diagram of Existing Joists and New Electrics

1:20

The contractor should ensure that all cables installed under the pew platform floor are to not be liable to damage by contact with the floor or any of their fixings which should be assessed following breaking out. Where a cable must pass through a timber joist within a floor the cable must either be minimum 50mm measured vertically from the top or bottom as appropriate or comply with Regulation 522.6.203 (metal sheathed cabling, thick metal plate over, etc.) Submit proposals for the most appropriate method following breaking out.

C03 AW 02/01/24 Updated following comments by the DAC.

C02 AS 30/05/23 Conduit changed

Rev	By	Date	Revision Note
C03	AW	02/01/24	Updated following comments by the DAC.
C02	AS	30/05/23	Conduit changed

Pearce Bottomley LLP

10 High Street  
Tadcaster  
LS24 9AT

T: 0115 281 2000

E: pbp@pbarchitects.co.uk

W: www.pbarchitects.co.uk



Client  
PCC of St Mary's Whitkirk  
St Mary's Church, Selby Road, Whitkirk, Leeds,  
LS15 0AA

Project  
Whitkirk, St Mary's - Alterations

Drawing Title  
Electrics as Proposed - Phase 1

Stage	Scale	Drawn	Checked	Date
INFORMATION	Various @A4	EG	AS	24/04/2023

File Name  
5786-PBA-XX-XX-DR-A-6001

Proj. Ref.	Drawing Number	Revision
5786	(60)01	C03