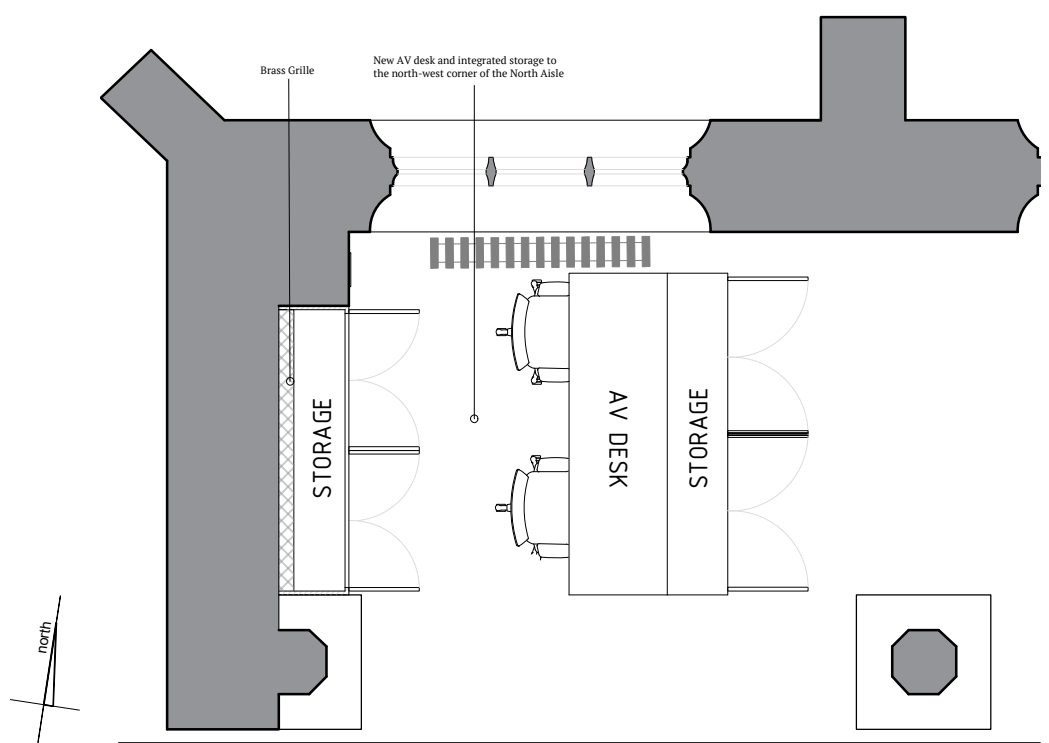
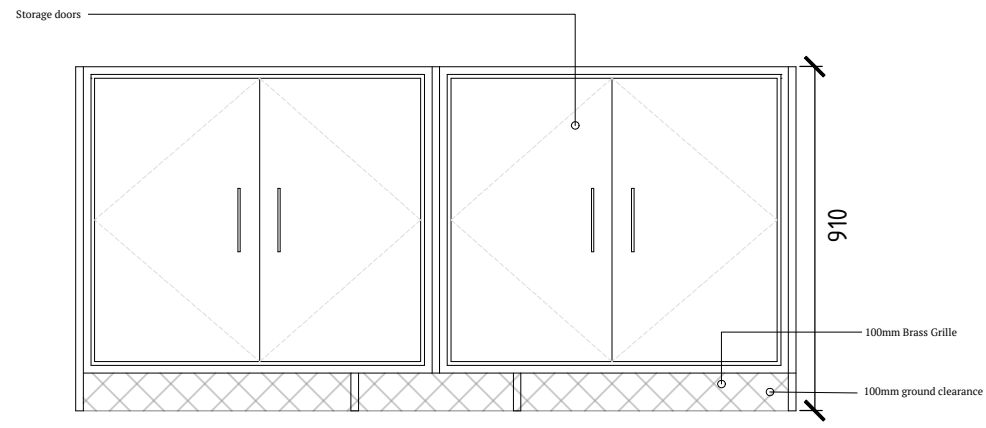


Do not scale off this drawing. Work to figured dimensions any discrepancy to be reported to the Architects. Refer to larger scale drawings where available.

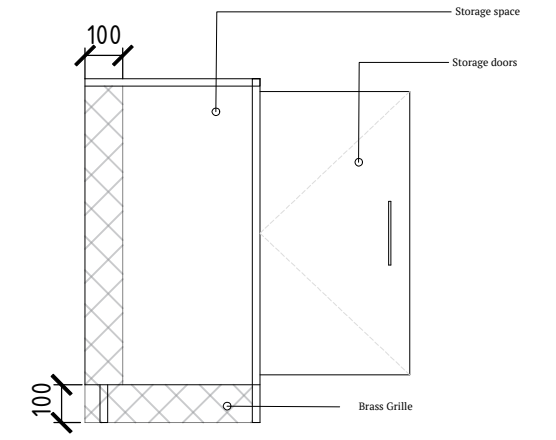
AV desk design is still in draft, to be confirmed following the appointment of an appropriate joiner. Dimensions of the brass grille to be determined by the appropriate joiner.



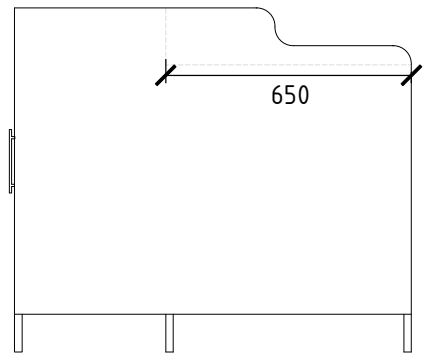
Reference Plan as Proposed 1:50



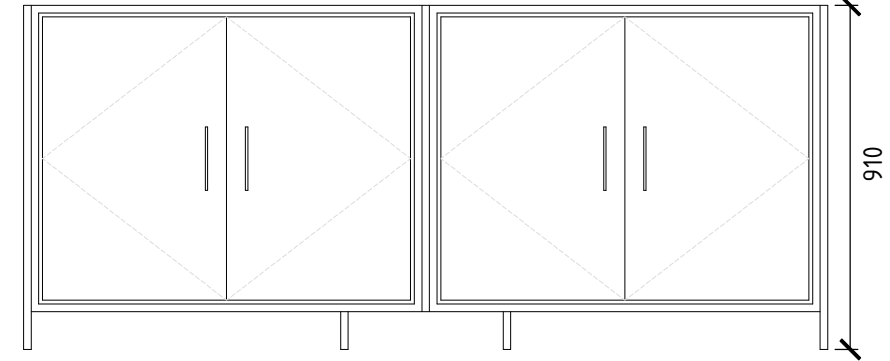
New Storage Cupboard East Elevation as Proposed 1:20



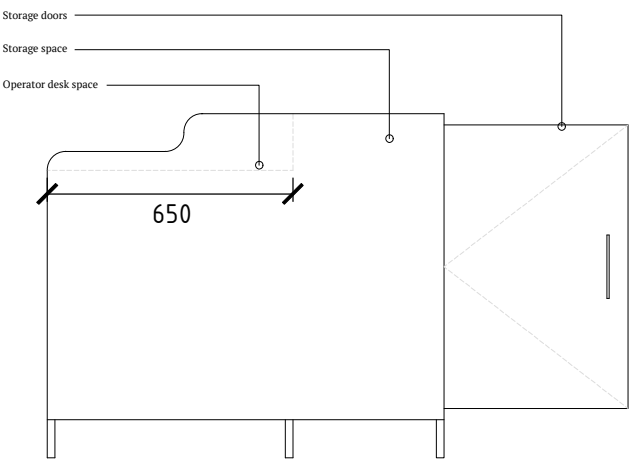
New Storage Cupboard North Elevation as Proposed 1:20 (Shown with doors open)



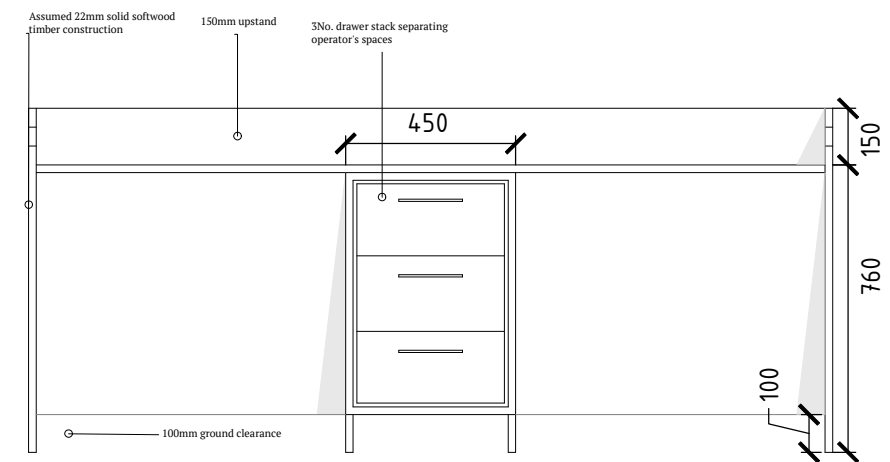
New AV Desk North Elevation as Proposed 1:20 (Shown with doors closed)



New AV Desk East Elevation as Proposed 1:20



New AV Desk South Elevation as Proposed 1:20 (Shown with doors open)



New AV Desk West Elevation as Proposed 1:20

Pearce Bottomley LLP  
 10 High Street  
 Tadcaster  
 LS24 9AT  
 T: 0113 281 2000  
 E: pbp@pbarchitects.co.uk  
 W: www.pbarchitects.co.uk



Client  
 PCC of St Mary's Whitkirk  
 St Mary's Church, Selby Road, Whitkirk,  
 Leeds, LS15 0AA  
 Project  
 Whitkirk, St Mary's - Alterations

P01	AW	26/20/23	Issued for Information	
Rev	By	Date	Revision Note	
Drawing Title AV Desk as Proposed - Phase 1				
Stage	Scale	Drawn	Checked	Date
INFORMATION	Noted @ A3	AW	AS	Oct-23
File Name 5786-PBA-XX-XX-DR-A-8001				
Proj. Ref.		Drawing Number	Revision	
5786		(80)01	P03	